

PRODUCT DATA SHEET

CLA-C3X • 810219



PRODUCT DETAILS

The CLAYTECH C3X pump is a self-priming centrifugal jet pump with excellent suction capacity, even when air is present in the water. Particularly indicated for water supply and pressure boosting in houses. Thanks to their compact and handy shape, they are also used for particular applications as portable pumps for emergency situations.

Note: This pump cannot be used in swimming pools, ponds or basins where people are present, or for pumping hydrocarbons (petrol, diesel fuel, combustible oils, solvents, etc.) in accordance with the accident-prevention regulations in force. They should be cleaned before putting them away.

APPLICATIONS

- Small farming
- Gardening
- Boosts pressure / drawing water from tanks or rivers
- Drinking water
- General hobby activity

FEATURES

- Compact
- Automatic on/off
- Easy to use
- Dry-run protection
- Intelligent controller
- Water cooled motor

BRAND



TECHNICAL DATA

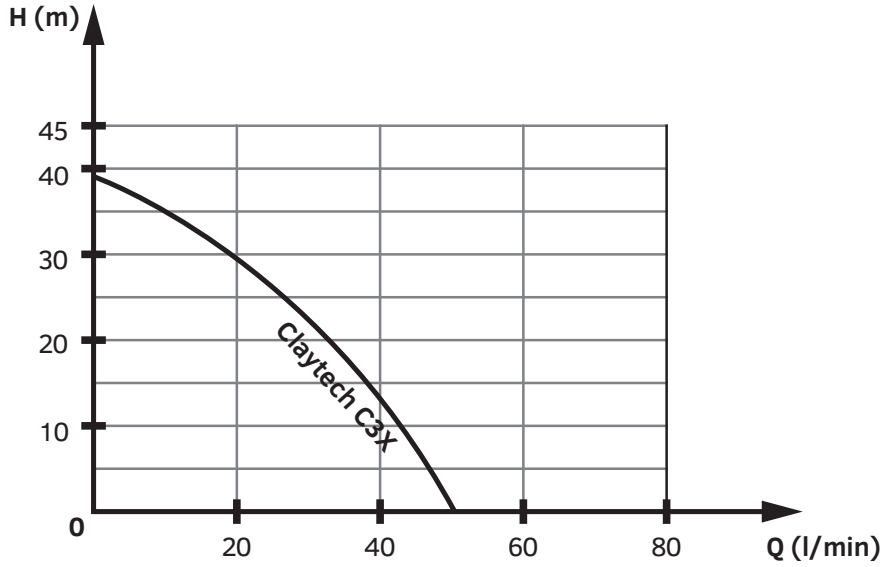
ELECTRICAL DATA	
P1 RATED ABSORBED POWER (W)	650
P2 (W)	400
MAINS VOLTAGE (V)	1~220-240AC
MAINS FREQUENCY (HZ)	50
CURRENT (AMPS)	3.11
CAPACITOR (µF)	12.5
CAPACITOR (VC)	450

HYDRAULIC DATA	
MAX FLOW RATE (L/H)	3000
MAX HEAD (M)	40
MAX HEAD (BAR)	4.0
MAX FLOW (L/MIN)	50
CUT IN/OUT PRESSURE (BAR)	2.2 / 3.9
RATED OUTPUT (P2 W)	400
MAX SUCTION DEPTH (M/MIN)	8m/<3min

RANGE OF USE	
LENGTH OF POWER CABLE (M)	1.5
TYPE OF CABLE	H07 RNF
GRADE OF MOTOR PROTECTION	IP X4
INSULATION CLASS	F
MAX PARTICLE DIMENSION	Clean Water
MAX AMBIENT TEMPERATURE	+40°C

WEIGHT	
DNM GAS	1" M
NET/GROSS WEIGHT APPROX. (KG)	8.64/10.84

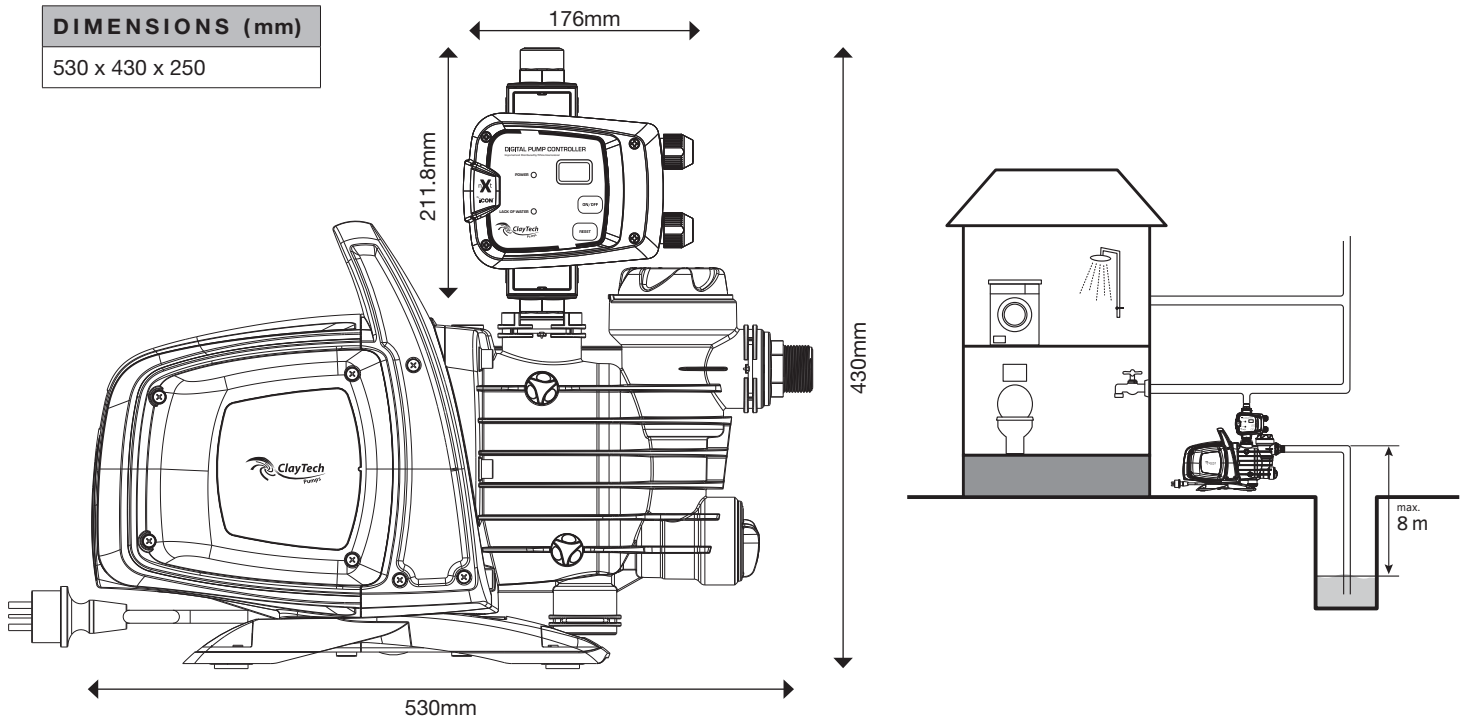
CURVE



DIMENSIONS

DIMENSIONS (mm)

530 x 430 x 250



WARRANTY / CERTIFICATIONS

